

# 5MP ColorHunter with Wise-ISP Outdoor Pan & Tilt Wi-Fi Camera

Uho-P3C-M5F4



## Features

- High quality image with 5MP, 1/1.8" CMOS sensor and F1.0 large aperture lens
- 5MP (2880\*1620)@25/20fps; 4MP (2560\*1440)@25/20fps; 3MP (2304\*1296)@30/25fps; 2MP (1920\*1080)@30/25fps;
- Ultra 265, H.265, H.264
- Colorhunter with Wise-ISP technology ensures 24-hour full-color images
- Support digital WDR (Wide Dynamic Range)
- Built-in Mic & Speaker, support two-way audio, offer better interaction
- Support sound and light warning, makes warning and alarming more noticeable
- Warm Light, up to 30m warm light distance
- Supports 512 GB Micro SD card
- Wi-Fi connection and easy installation
- IP66 ingress protection

## Specifications

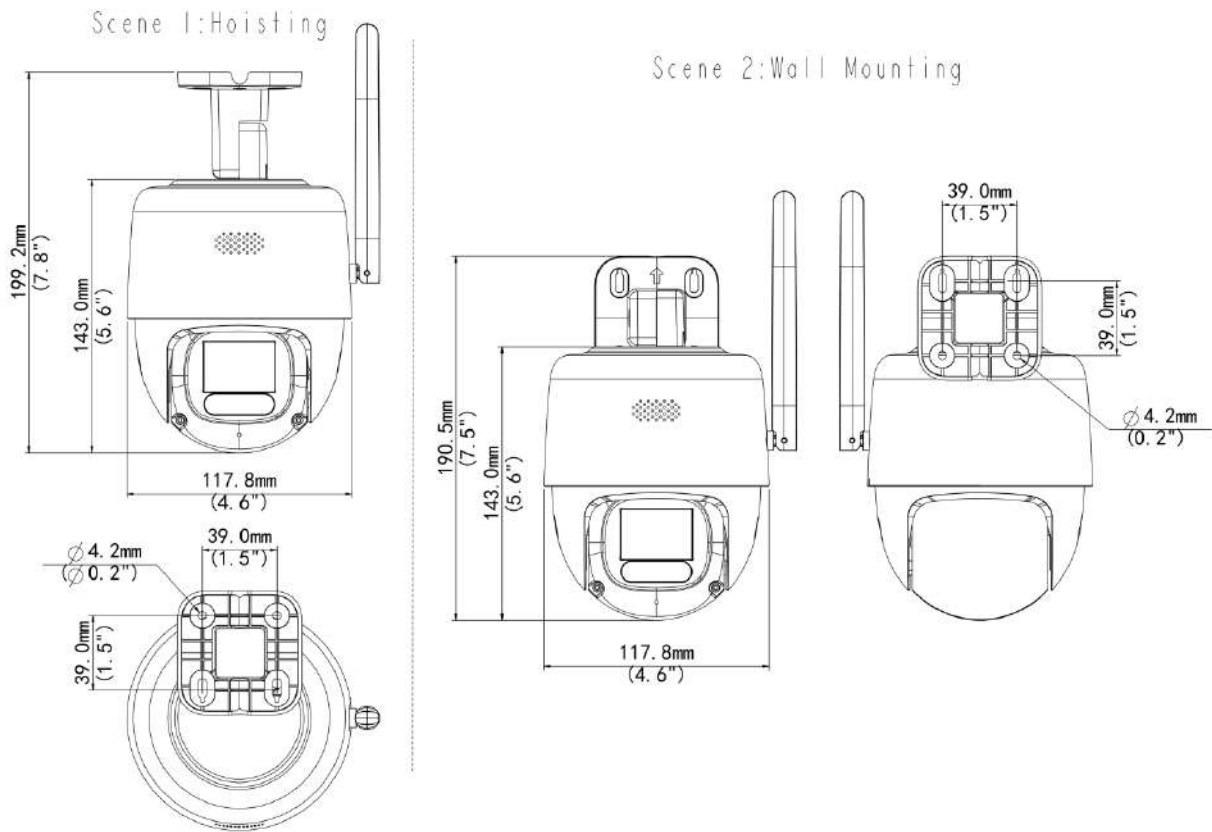
Model	Uho-P3C-M5F4
Camera	
Max Resolution	5 MP

Sensor	1/1.8" CMOS
Min. Illumination	Colour: 0.0003Lux (F1.0, AGC ON)
Shutter	Auto/Manual, 1 to 1/100000 s
S/N	>52 dB
WDR	DWDR
<b>Lens</b>	
Digital Zoom	4X
Focal Length	4.0 mm
Iris Type	Fixed
Iris	F1.0
Field of View (H)	89.4°
Field of View (V)	48.2°
Field of View (D)	94.7°
Lens Type	Fixed
<b>DORI</b>	
DORI Distance (Lens)	4.0mm
DORI Distance (Detect)	62.1(203.6ft)
DORI Distance (Observe)	24.8(81.5ft)
DORI Distance (Recognize)	12.4(40.7ft)
DORI Distance (Identify)	6.2(20.4ft)
<b>Illuminator</b>	
Supplemental Light	Warm light
Illumination Distance (Warm Light)	30 m (98.4 ft)
IR On/Off Control	Auto/Manual
<b>Video</b>	
Video Compression	Ultra 265, H.265, H.264
Frame Rate	Main Stream: 5MP (2880*1620), Max 25fps; 4MP (2560*1440), Max 25fps; 3MP (2304*1296), Max 30fps; 2MP (1920*1080), Max 30fps; 720P (1280*720), Max 30fps; Sub Stream: 640*360, Max 30fps; 2CIF (704*288), Max 30fps; CIF (352*288), Max 30fps;
Video Bit Rate	128 Kbps to 6144 Kbps
U-code	Support
OSD	Up to 4 OSDs
Privacy Mask	Support (only NVR)
ROI	Up to 8 areas
Video Stream	Dual streams
<b>Image</b>	
White Balance	Auto, Outdoor, Fine tune, Sodium lamp, Locked, Auto2
Digital Noise Reduction	2D/3D DNR
Smart IR	Support
Flip	Normal, Flip vertical, Flip horizontal, 180°
Dewarping	N/A
HLC	N/A

BLC	N/A
Defog	Digital defog
<b>Events</b>	
Basic Detection	Human body detection, Motion detection, Audio detection
General Function	IP address filtering, Access policy, ARP protection, RTSP authentication, User authentication, HTTP authentication
<b>Intelligent</b>	
Auto Tracking	Support
<b>Audio</b>	
Audio Compression	G.711U, G.711A
Audio Bitrate	64 Kbps
Two-way Audio	Support
Suppression	Support
Sampling Rate	8 kHz
<b>Storage</b>	
Edge Storage	Micro SD, up to 512 GB
Network Storage	ANR
<b>Network</b>	
Wi-Fi	2.4G Wi-Fi (IEEE802.11b/g/n/ax), built-in antenna
Protocols	IPv4, TCP, UDP, DHCP, RTSP, DNS, DDNS, NTP, HTTP
Compatible Integration	API
Client	Uniarch client, Uniarch app
Web Browser	Plug-in required live view: IE 10+, Chrome 45+, Firefox 52+, Edge 79+
<b>Wi-Fi</b>	
Wireless Standards	IEEE802.11b/g/n/ax
Frequency Range	2.4 GHz to 2.4835 GHz
Channel Bandwidth	20/40 MHz Support
Modulation Mode	802.11b: CCK 802.11g/n: OFDM 802.11ax: OFDMA
Wi-Fi Security	64/128-bit WEP, WPA-PSK/WPA2-PSK
Transmit Power	802.11b: 17±1.5 dBm@11 Mbps 802.11g: 16±1.5 dBm@54 Mbps 802.11n: 16±1.5 dBm@MCS7 802.11ax: 16±1.5 dBm@MCS9
Receive Sensitivity	802.11b: -76 dBm@11 Mbps (Typical) 802.11g: -65 dBm@54Mbps (Typical) 802.11n: -61 dBm@MCS7, HT40 (Typical) 802.11ax: -54 dBm@MCS9, HE40 (Typical)
Transmission Rate	802.11b: 11 Mbps 802.11g: 54 Mbps 802.11n: up to 150 Mbps 802.11ax: up to 270 Mbps
<b>PTZ</b>	
Pan Range	0° ~ 345°
Pan Speed	1°/s ~ 40°/s Preset speed: 40°/s
Tilt Range	0° ~ 90°
Tilt Speed	1°/s ~ 30°/s Preset speed: 30°/s

Number of Presets	20
<b>Interface</b>	
Audio I/O	N/A
Alarm I/O	N/A
Built-in Mic	Support
Built-in Speaker	Support
WIFI	Support
Network	1 × RJ45 10 M/100 M Base-TX Ethernet
<b>Certification</b>	
EMC	CE-EMC (EN 55032, EN 61000-3-3, EN IEC 61000-3-2, EN 50130) FCC (FCC 47 CFR part15 B)
RF	FCC ID (FCC CFR 47 part15 C) CE RED (EN 301 489-1, EN 301 489-17, EN 300 328, EN 62311)
Safety	CE LVD (EN 62368-1)
Environment	CE-RoHS (2011/65/EU;(EU)2015/863); WEEE (2012/19/EU);
Protection	IP66 (IEC 60529)
<b>General</b>	
Power	DC 12V±25%
Power Interface	Ø5.5 mm coaxial power plug
Dimensions	Φ118mm*118mm*199mm (Φ4.6"x 4.6"x 7.8")
Weight	0.53kg (1.17lb)
Working Environment	-30 °C to 60 °C (-22 °F to 140 °F), Humidity: ≤ 95% RH (non-condensing)
Storage Environment	-30 °C to 60 °C (-22 °F to 140 °F), Humidity: ≤ 95% RH (non-condensing)
Surge Protection	4 KV
Reset Button	Support
LED Indicator	1, green

## Dimensions



## Accessories

TR-JB05-A-IN

Small Bullet Junction Box(Support wiring from behind,Square)



TR-A01-IN

NPT 3/4" Waterproof Cable Gland



TR-UP06-B-IN

Bullet Pole Mounting Bracket



TR-UC08-C

Bullet&Dome Corner Mounting Bracket



TR-UP06-C-IN

Pole Mounting Bracket for Bullet Junction Box Only



**Zhejiang Uniview Technologies Co., Ltd.**

No. 369, Xietong Road, Xixing Sub-district, Binjiang District, Hangzhou City, 310051, Zhejiang Province, China

Email: [overseasbusiness@uniview.com](mailto:overseasbusiness@uniview.com); [globalsupport@uniview.com](mailto:globalsupport@uniview.com)

<http://www.uniview.com>

©2024-2025 Zhejiang Uniview Technologies Co., Ltd. All rights reserved.

\*Product specifications and availability are subject to change without notice.

\*Despite our best efforts, technical or typographical errors may exist in this document. Uniview cannot be held responsible for any such errors and reserves the right to change the contents of this document without prior notice.